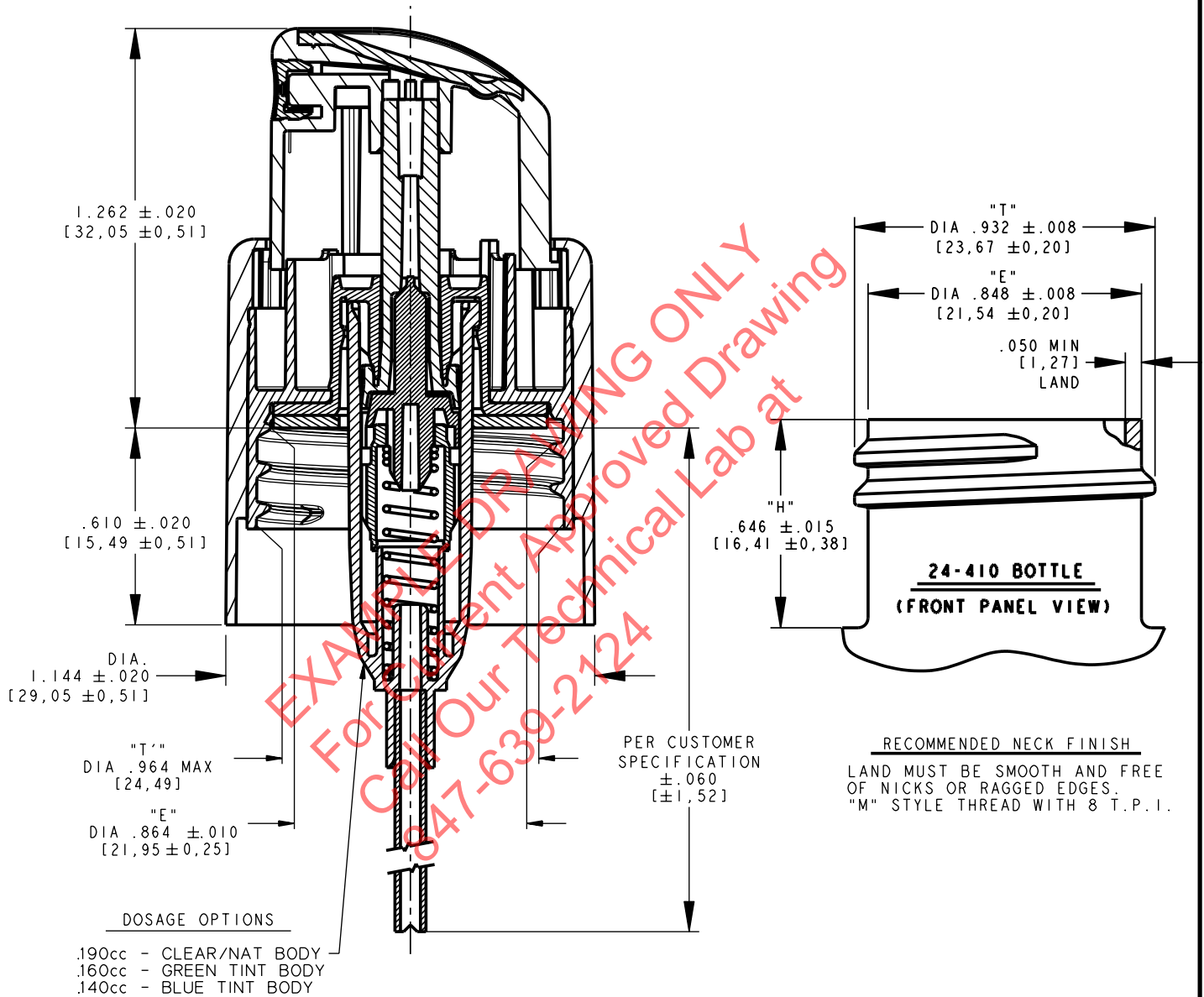


CLOSURE NOTES:

1. APPLICATION TORQUE: 10-18 IN. LBS.
2. THE "T" & "E" DIAMETERS ARE THE AVERAGE OF 2 MEASUREMENTS TAKEN APPROXIMATELY 90° APART.
3. THE "T" DIAMETER IS TAKEN TOWARD THE BOTTOM OF THE CLOSURE JUST BELOW THE START OF THE FULL THREAD.
4. THE "E" DIAMETER IS TAKEN AS CLOSE TO THE INSIDE DECK AS POSSIBLE.
5. THIS IS AN ORIENTED CLOSURE.
SEE BELOW FOR RELATIVE BOTTLE THREAD START.



- 1 DIMENSIONS IN BRACKETS ARE IN MILLIMETERS
- 2 TOLERANCE FOR ORIFICES LESS THAN .060" [1,52 MM] DIA.: ± .002" [0,05 MM]
- 3 ALL OTHER TOLERANCES ± .005" [0,13 MM] UNLESS OTHERWISE SPECIFIED

POSSESSION OF THIS DRAWING IS AN ACKNOWLEDGEMENT THAT IT AND ITS CONTENTS ARE THE EXCLUSIVE PROPERTY OF SEAQUIST. THE ARTICLE SHOWN ON THIS DRAWING OR THE DRAWING MAY NOT BE REPRODUCED IN ANY FORM WHATSOEVER WITHOUT WRITTEN PERMISSION FROM SEAQUIST.

Title EUROLOCK CLASSIC 24-410 TWO COLOR ACTUATOR				SequistPerfect DISPENSING	Approved	Date
Drawn By	JPK	Date	08-Aug-02		Qual Mgt	
Material	-	Chkd By	PH	R & D		
Scale 2:1		Dwg No.	CSX-EL21-024	Lab Mgr		
				Rev Ltr	-	