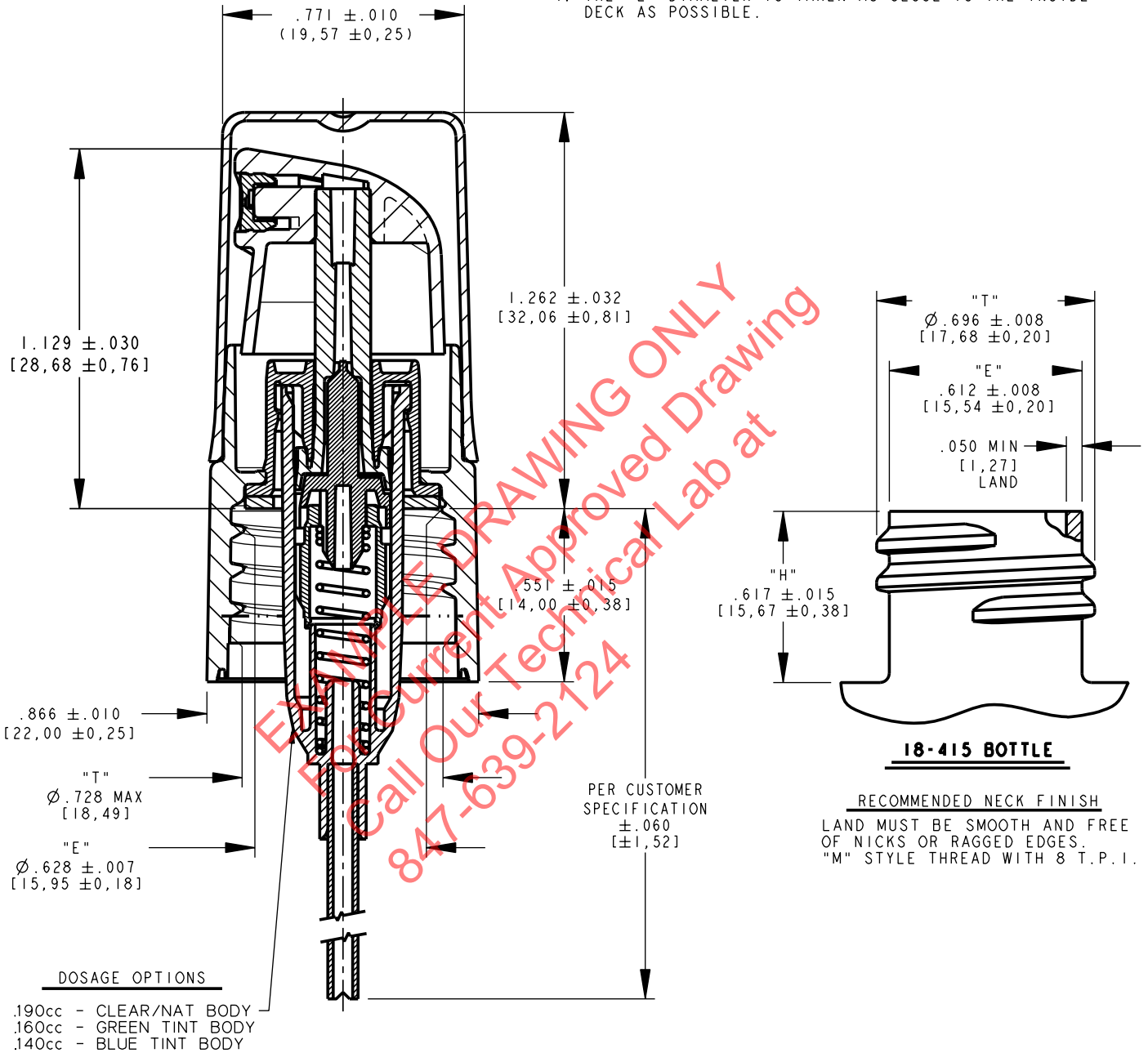


CLOSURE NOTES:

1. APPLICATION TORQUE: 7-10 IN. LBS.
2. THE "T" & "E" DIAMETERS ARE THE AVERAGE OF 2 MEASUREMENTS TAKEN APPROXIMATELY 90° APART.
3. THE "T" DIAMETER IS TAKEN TOWARD THE BOTTOM OF THE CLOSURE JUST BELOW THE START OF THE FULL THREAD.
4. THE "E" DIAMETER IS TAKEN AS CLOSE TO THE INSIDE DECK AS POSSIBLE.



18-415 BOTTLE

RECOMMENDED NECK FINISH
 LAND MUST BE SMOOTH AND FREE OF NICKS OR RAGGED EDGES.
 "M" STYLE THREAD WITH 8 T.P.I.

- 1 DIMENSIONS IN BRACKETS ARE IN MILLIMETERS
- 2 TOLERANCE FOR ORIFICES LESS THAN .060" [1,52 MM] DIA.: ±.002" [0,05 MM]
- 3 ALL OTHER TOLERANCES ±.005" [0,13 MM] UNLESS OTHERWISE SPECIFIED

POSSESSION OF THIS DRAWING IS AN ACKNOWLEDGEMENT THAT IT AND ITS CONTENTS ARE THE EXCLUSIVE PROPERTY OF SEAQUIST. THE ARTICLE SHOWN ON THIS DRAWING OR THE DRAWING MAY NOT BE REPRODUCED IN ANY FORM WHATSOEVER WITHOUT WRITTEN PERMISSION FROM SEAQUIST.

Title CARDINAL SPRAY 18-415 SMOOTH WALL w/ MAXIMIZER HOOD					Approved	Date
Drawn By JPK Date 17-Jul-02 Chkd By - Date -					Qual Mgt	
Material -				DISPENSING		R & D
Scale 2:1				Dwg No. CSX-0049-018		Lab Mgr
						Rev Ltr A