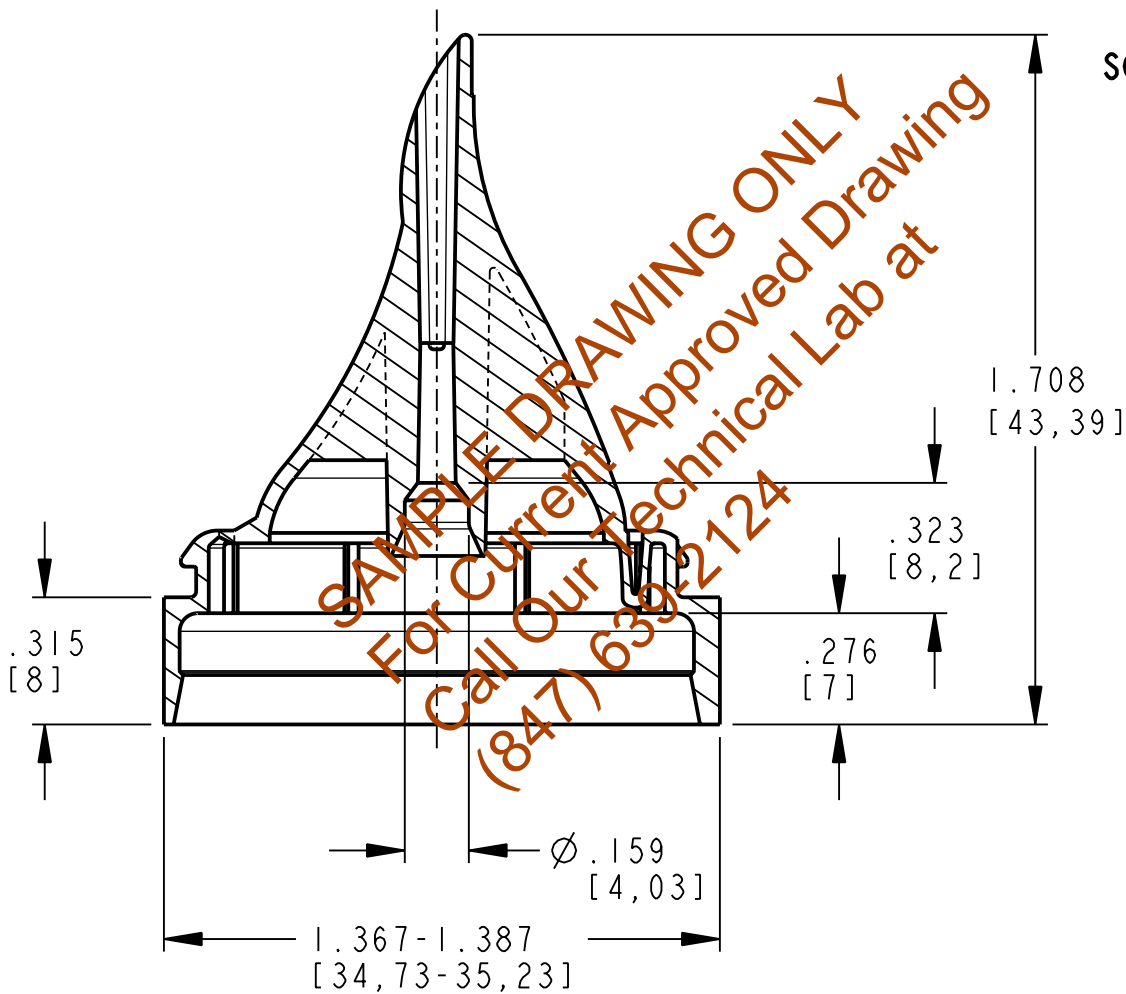


SCALE 1:1



- 1 RECOMMENDED VALVE "A" HEIGHT SPECIFICATION:
.275-.310 [6,99-7,87]
- 2 CRIMPED CUP O.D. MUST BE 1.280-1.290"
[32,51-32,77 MM]
- 3 DIMENSIONS IN BRACKETS ARE IN MILLIMETERS
- 4 TOLERANCE FOR ORIFICES LESS THAN .060"
[1,52 MM] DIA.: ±.002" [0,05 MM]
- 5 ALL OTHER TOLERANCES ±.005" [0,13 MM]
UNLESS OTHERWISE SPECIFIED

POSSESSION OF THIS DRAWING IS AN ACKNOWLEDGEMENT THAT IT AND ITS CONTENTS ARE THE EXCLUSIVE PROPERTY OF SEAQUIST. THE ARTICLE SHOWN ON THIS DRAWING OR THE DRAWING MAY NOT BE REPRODUCED IN ANY FORM WHATSOEVER WITHOUT WRITTEN PERMISSION FROM SEAQUIST.

ASPIRE MOUSSE SPOUT, VX						Approved	Date	
				_____ DISPENSING _____		Qual Mgt		
Drawn By	C.B.	Date	08-Jun-09	Chkd By		R & D		
Material	POLYPROPYLENE		Scale	2:1		Lab Mgr		
				Dwg No.	C83-2418-01		Rev Ltr	-