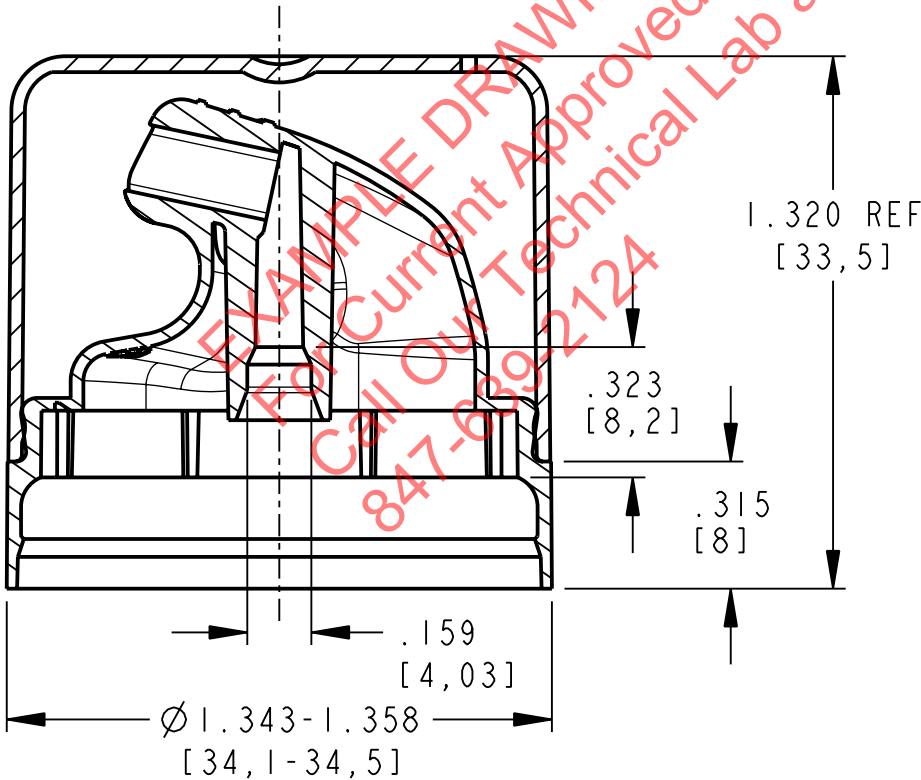
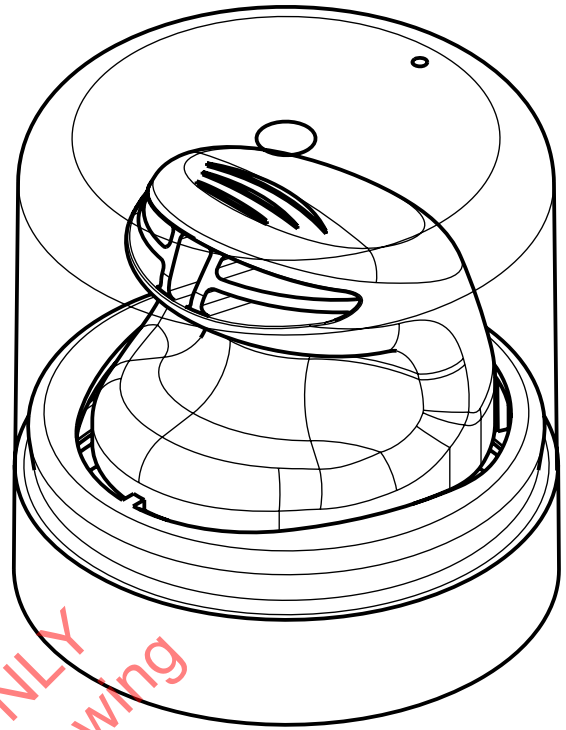


DRAFT COPY
NOT APPROVED
FOR PRODUCTION



1 DIMENSIONS IN BRACKETS ARE IN MILLIMETERS

2 TOLERANCE FOR ORIFICES LESS THAN .060" [1,52 MM] DIA.: ±.002" [0,05 MM]

3 ALL OTHER TOLERANCES ±.005" [0,13 MM] UNLESS OTHERWISE SPECIFIED

POSSESSION OF THIS DRAWING IS AN ACKNOWLEDGEMENT THAT IT AND ITS CONTENTS ARE THE EXCLUSIVE PROPERTY OF SEAQUIST. THE ARTICLE SHOWN ON THIS DRAWING OR THE DRAWING MAY NOT BE REPRODUCED IN ANY FORM WHATSOEVER WITHOUT WRITTEN PERMISSION FROM SEAQUIST.

Title **ALLEGRA FOAM ACTUATOR/
HOOD ASSEMBLY**

Seaquist Perfect
 DISPENSING

Approved	Date
Qual Mgt	
R & D	
Lab Mgr	

Drawn By SHC Date 20-Jul-05 Chkd By PH Date 20-Jul-05

Material - Scale 2:1

Dwg No. C83-1720-19

Rev Ltr -