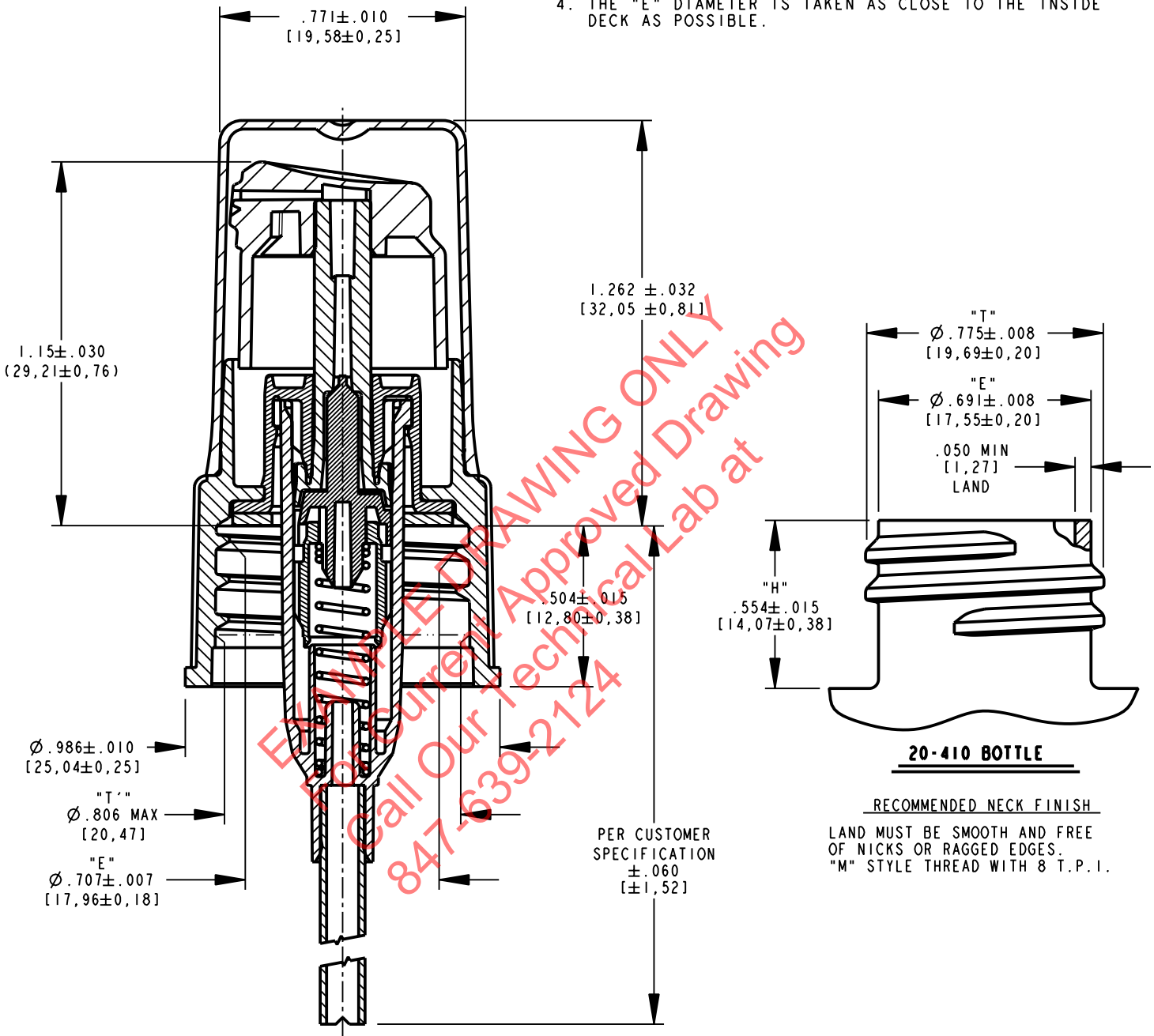


CLOSURE NOTES:

1. APPLICATION TORQUE: 8-12 IN. LBS.
2. THE "T" & "E" DIAMETERS ARE THE AVERAGE OF 2 MEASUREMENTS TAKEN APPROXIMATELY 90° APART.
3. THE "T" DIAMETER IS TAKEN TOWARD THE BOTTOM OF THE CLOSURE JUST BELOW THE START OF THE FULL THREAD.
4. THE "E" DIAMETER IS TAKEN AS CLOSE TO THE INSIDE DECK AS POSSIBLE.



1 DIMENSIONS IN BRACKETS ARE IN MILLIMETERS
 2 TOLERANCE FOR ORIFICES LESS THAN .060" [1,52 MM] DIA.: ±.002" [0,05 MM]
 3 ALL OTHER TOLERANCES ±.005" [0,13 MM] UNLESS OTHERWISE SPECIFIED

POSSESSION OF THIS DRAWING IS AN ACKNOWLEDGEMENT THAT IT AND ITS CONTENTS ARE THE EXCLUSIVE PROPERTY OF SEAQUIST. THE ARTICLE SHOWN ON THIS DRAWING OR THE DRAWING MAY NOT BE REPRODUCED IN ANY FORM WHATSOEVER WITHOUT WRITTEN PERMISSION FROM SEAQUIST.

Title HAWK LOTION, 190mc l HV 20-410 WITH MAXIMIZER HOOD				DISPENSING		Approved	Date
Drawn By JAK Date 28-Nov-07 Chkd By Date						Qual Mgt	
Material -				Dwg No. CSX-HL10-20R		R & D	
Scale 2:1				Rev Ltr -		Lab Mgr	