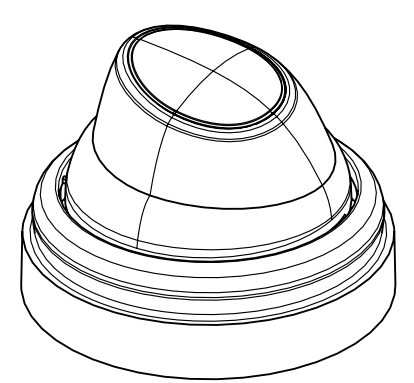
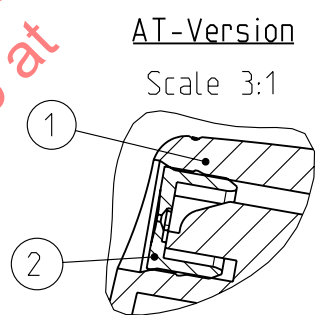
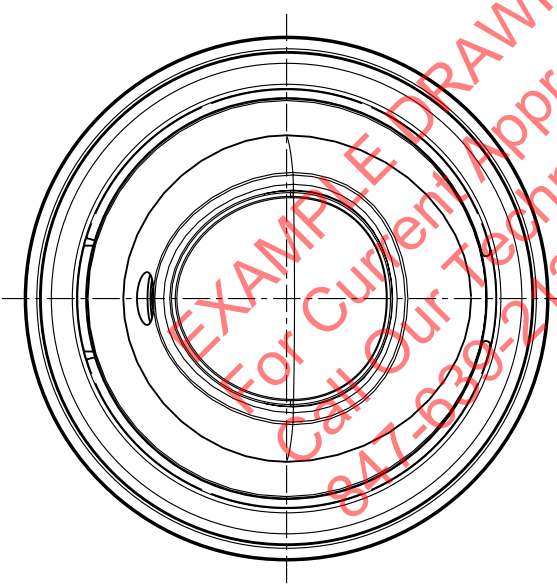
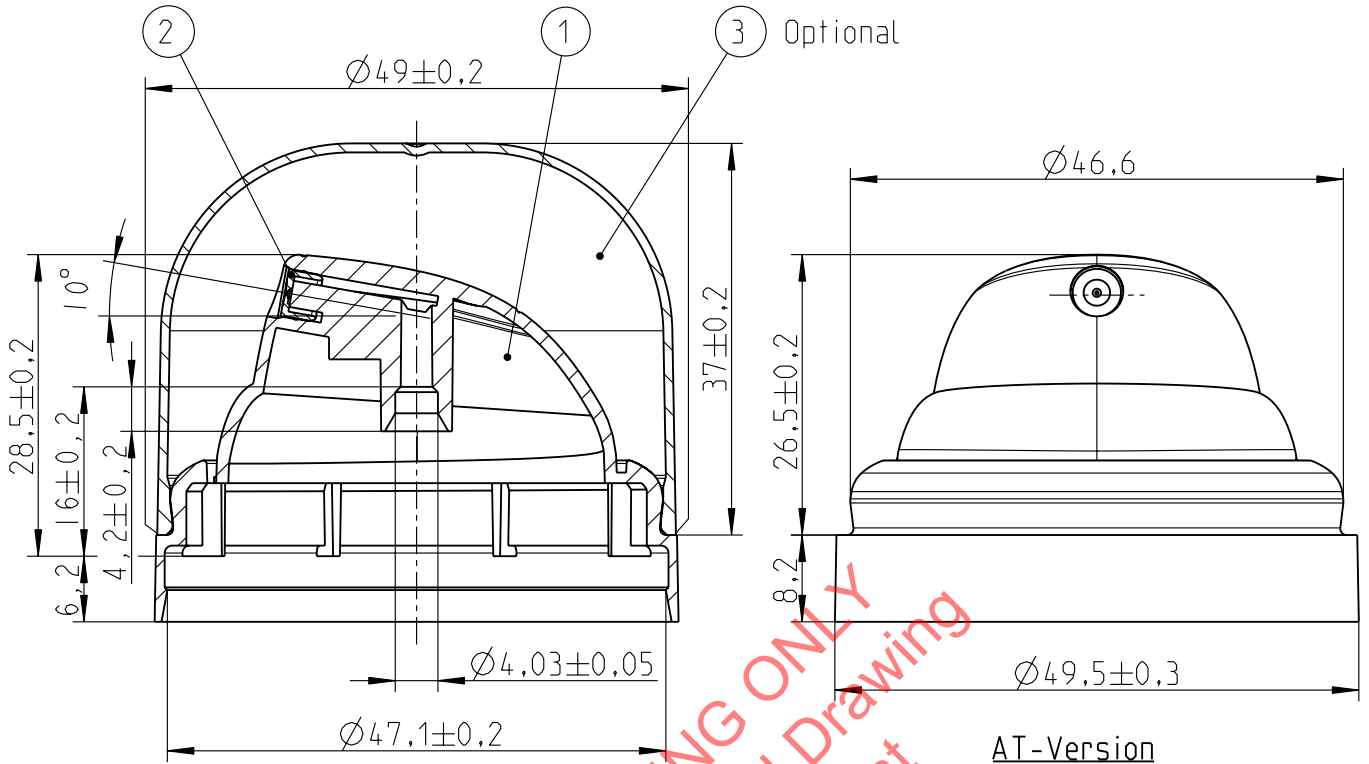


THIS DRAWING IS FOR DIMENSIONAL REFERENCE ONLY, COMPONENT PART MAY DIFFER VISUALLY DEPENDENT ON VALVE SPECIFICATION.



AT-Version
Scale 3:1

Scale 1:1

3	Cap
2	Insert
1	Actuator
No.	Part

SequistPerfect DISPENSING

Default Tolerances: Linear ±0,15

Units: MILLIMETERS

Title: SK WS349 and SK WS349 AT with Insert and Cap			
Dwg Size	Drawn By: B.SA.	Chkd: -	Date: -
A 4	Date: 04-Aug-04	NSRB #: -	Date: -
	Scale: 7:5	Model: CD-SK-0397	

B	04,03±0,05 was 04,05±0,05	21-03-05	C.B.	Material: -	Drawing Number	Rev
Rev	Description	Date	By	Requirements Package: -	CD-SK-0397	B