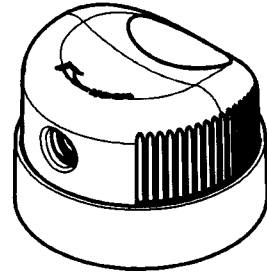
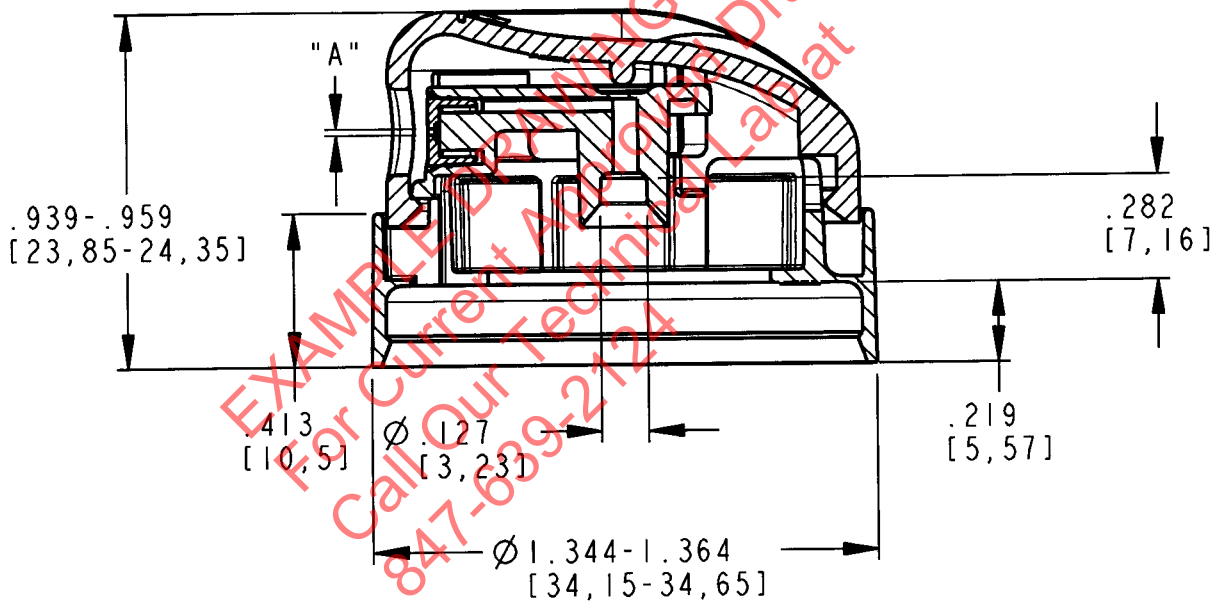


INSERT	"A" ORIFICE
DU3813	.015 [0,38]
DU3832	.015 [0,38]
DU4613	.018 [0,46]
DU5113	.020 [0,51]
DU5118	.020 [0,51]



SCALE 1:1



- 1 MAX STEM "A" HEIGHT AFTER WATER BATH MUST NOT EXCEED .315" (8 MM)
- 2 USE OVERSIZED O.D. TEMPLATE OR ALUMINUM CUP CRIMPED CUP O.D. MUST BE 1.280-1.290" [32,51-32,77 MM]
- 3 DIMENSIONS IN BRACKETS ARE IN MILLIMETERS
- 4 TOLERANCE FOR ORIFICES LESS THAN .060" [1,52 MM] DIA. : ±.002" [0,05 MM]
- 5 ALL OTHER TOLERANCES ±.005" [0,13 MM] UNLESS OTHERWISE SPECIFIED

POSSESSION OF THIS DRAWING IS AN ACKNOWLEDGEMENT THAT IT AND ITS CONTENTS ARE THE EXCLUSIVE PROPERTY OF SEAQUIST. THE ARTICLE SHOWN ON THIS DRAWING OR THE DRAWING MAY NOT BE REPRODUCED IN ANY FORM WHATSOEVER WITHOUT WRITTEN PERMISSION FROM SEAQUIST.

Title						Approved	Date
MORITZ ACTUATOR, XT						Qual Mgr	8/27/04
Drawn By	Date	Chkd By	Date	DISPENSING		R & D	J.M. 9-23-04
JPK	17-Jul-03	J.M.	22-Jul-04			Lab Mgr	4/23/04
Material -				Scale	2:1	Dwg No.	C83-1400-20
						Rev Ltr	C