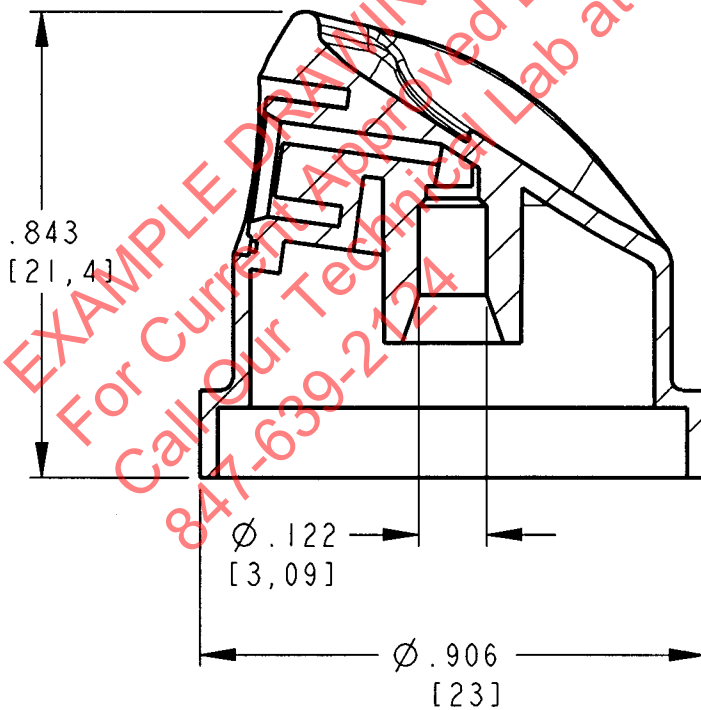



SCALE 3:1



- 1 DIMENSIONS IN BRACKETS ARE IN MILLIMETERS
- 2 TOLERANCE FOR ORIFICES LESS THAN .060" [1,52 MM] DIA.: ±.002" [0,05 MM]
- 3 ALL OTHER TOLERANCES ±.005" [0,13 MM] UNLESS OTHERWISE SPECIFIED

POSSESSION OF THIS DRAWING IS AN ACKNOWLEDGEMENT THAT IT AND ITS CONTENTS ARE THE EXCLUSIVE PROPERTY OF SEAQUIST. THE ARTICLE SHOWN ON THIS DRAWING OR THE DRAWING MAY NOT BE REPRODUCED IN ANY FORM WHATSOEVER WITHOUT WRITTEN PERMISSION FROM SEAQUIST.

Title EUROSTAR BUTTON				 —DISPENSING—		Approved	Date
Drawn By J.M.	Date 18-Jul-02	Chkd By J.D.W.	Date 18-Jul-02			Qual Mgt	02E7/23/02
Material POLYPROPYLENE				Scale 3:1	Dwg No. C13-A000-00	R & D	JW 7/22/02
						Lab Mgr	KJH 7-22-02
						Rev Ltr	-