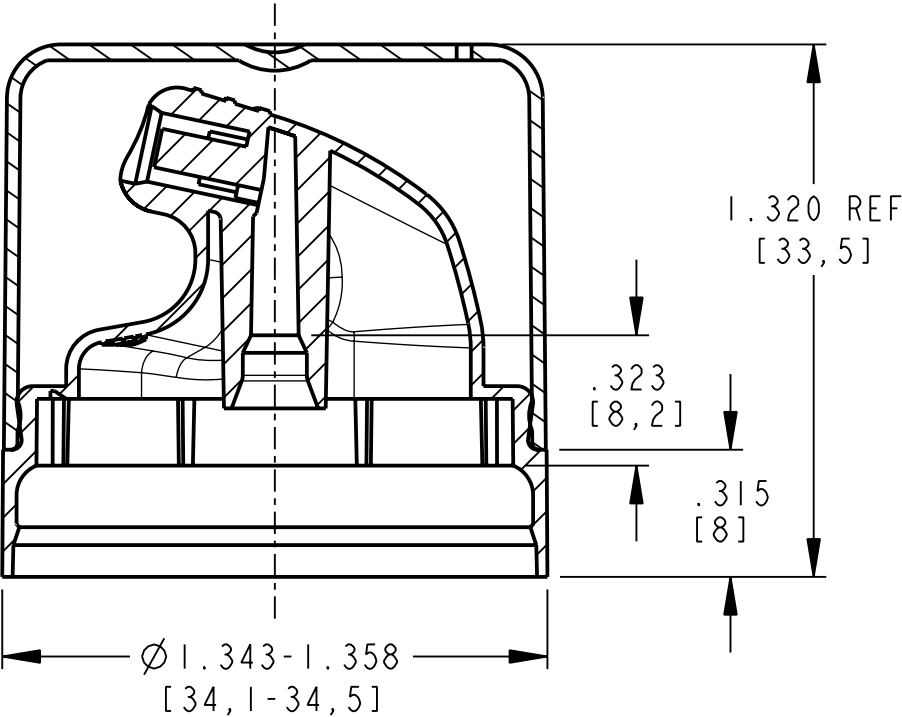
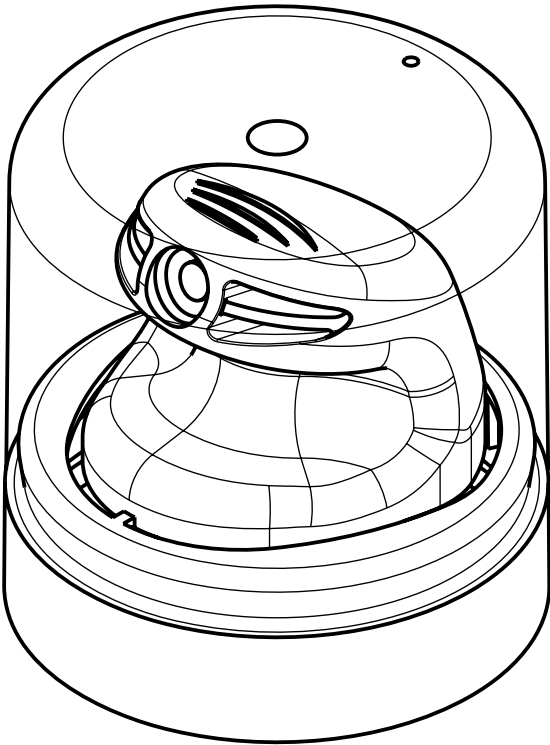


DRAFT COPY
NOT APPROVED
FOR PRODUCTION



- 1 DIMENSIONS IN BRACKETS ARE IN MILLIMETERS
- 2 TOLERANCE FOR ORIFICES LESS THAN .060" [1,52 MM] DIA.: ±.002" [0,05 MM]
- 3 ALL OTHER TOLERANCES ±.005" [0,13 MM] UNLESS OTHERWISE SPECIFIED

POSSESSION OF THIS DRAWING IS AN ACKNOWLEDGEMENT THAT IT AND ITS CONTENTS ARE THE EXCLUSIVE PROPERTY OF SEAQUIST. THE ARTICLE SHOWN ON THIS DRAWING OR THE DRAWING MAY NOT BE REPRODUCED IN ANY FORM WHATSOEVER WITHOUT WRITTEN PERMISSION FROM SEAQUIST.

Title ALLEGRA SPRAY ACTUATOR/ HOOD ASSEMBLY			
Drawn By SHC	Date 20-Jul-05	Chkd By PH	Date 20-Jul-05
Material -	Scale 2:1		

SeaquistPerfect
 DISPENSING

Dwg No. C83-1710-19

Approved	Date
Qual Mgt	
R & D	
Lab Mgr	
Rev Ltr	-