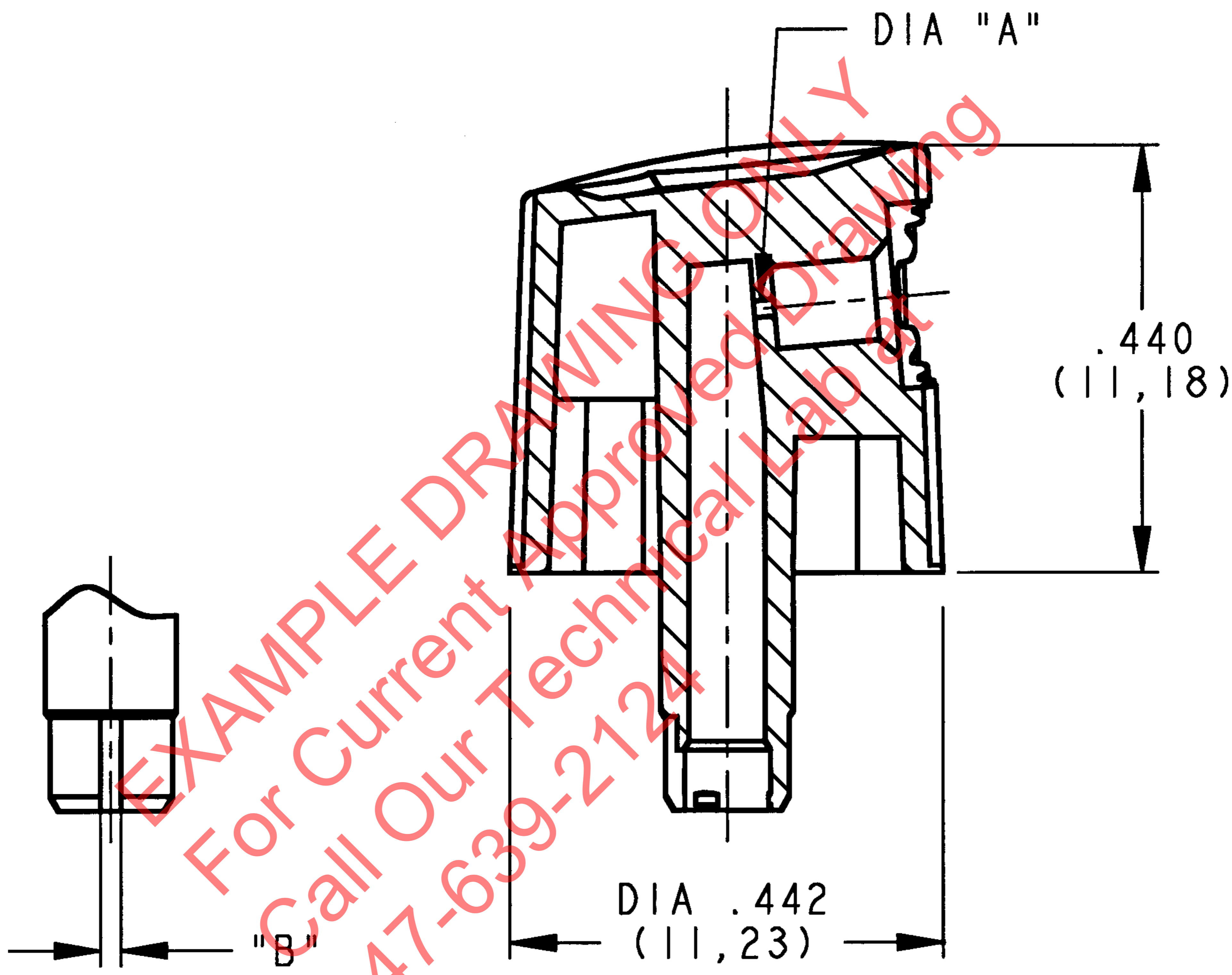
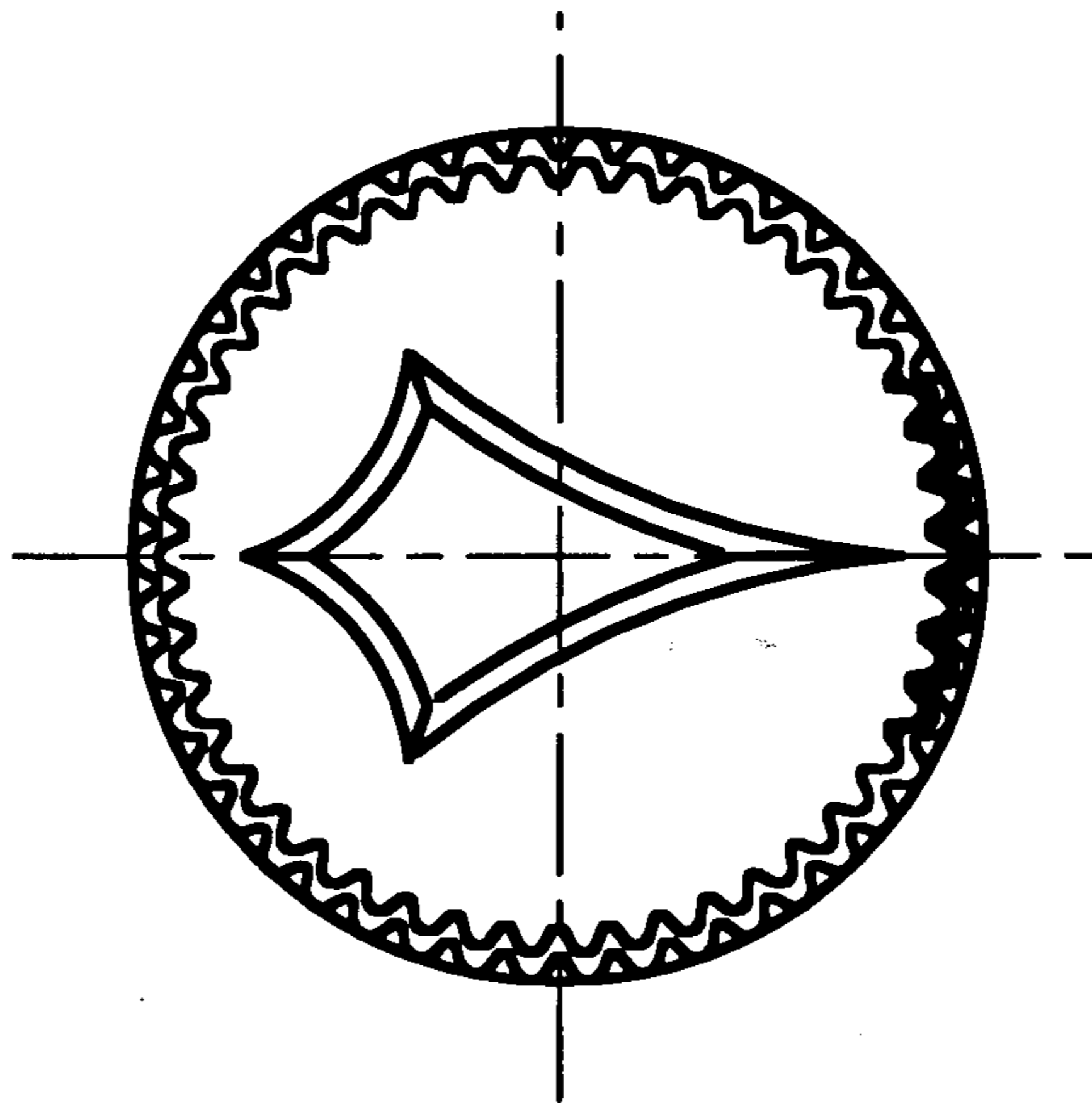


"A": ORIFICE
.017 (0,43)
.085 (2,16)



SLOT SIZE	
"B"	TRADE SIZE
.014 (0,35)	.014 (0,35)
.021 (0,53)	.018 (0,46)
.043 (1,09)	.026 (0,66)

- 1 DIMENSIONS IN BRACKETS ARE IN MILLIMETERS
- 2 TOLERANCE FOR ORIFICES LESS THAN .060" [1,52 MM] DIA.: ±.002" [0,05 MM]
- 3 ALL OTHER TOLERANCES ±.005" [0,13 MM] UNLESS OTHERWISE SPECIFIED

POSSESSION OF THIS DRAWING IS AN ACKNOWLEDGEMENT THAT IT AND ITS CONTENTS ARE THE EXCLUSIVE PROPERTY OF SEAQUIST. THE ARTICLE SHOWN ON THIS DRAWING OR THE DRAWING MAY NOT BE REPRODUCED IN ANY FORM WHATSOEVER WITHOUT WRITTEN PERMISSION FROM SEAQUIST.

Title AR-100 BUTTON, POSI-LOCK®				SeaquistPerfect DISPENSING	Approved	Date			
Drawn By	CMD	Date	8/5/96		Chkd By	-	Date	-	Qual Mgt
Material NYLON				Dwg No. C11-5P00-50		Rev Ltr	A		